

(00) 340382230000000009



Logopak VLP 220 RFID

Off-line/Back-up printers for large label formats with integrated RFID-technology



Logopak VLP 220 RFID



Printer features

- ✓ thermal transfer or direct thermal
- ✓ pre-set quick release print engine
- ✓ permanent print engine dot checking
- ✓ print width: 210 mm
- ✓ print resolution: 300 dpi
- ✓ label throat width: 220 mm
- ✓ fonts: 10 fixed and 4 scaleable fonts
- ✓ barcodes: all common linear and 2D barcodes
- ✓ logotype
- ✓ 400 Mhz 32-bit RISC CPU
- ✓ 4 MB CMOS memory
- ✓ 128 MB work and graphics memory
- ✓ **RFID integrated**

Operational features

- ✓ multi lingual operator interface
- ✓ built-in real-time clock
- ✓ individual programmable counters
- ✓ internal article data base

- ✓ error logging
- ✓ NEC-numeric display
- ✓ color -LCD-touch screen display (option)

Communication interface

- ✓ ethernet (10/100 Mbit)
- ✓ 4 x high speed RS 232 (up to 115,200 bps), optional RS 422

Media specifications

- ✓ die-cut self-adhesive labels
- ✓ label/ribbon roll: 150 m material length
- ✓ label core: 2"/3" (50 mm/76 mm) (depending on label length)

Software

- ✓ software family (LogoPAL, LogoBatch, LogoMail, LogoTex)
- ✓ LEAP Express (label design)
- ✓ service and control tool (Control Center)

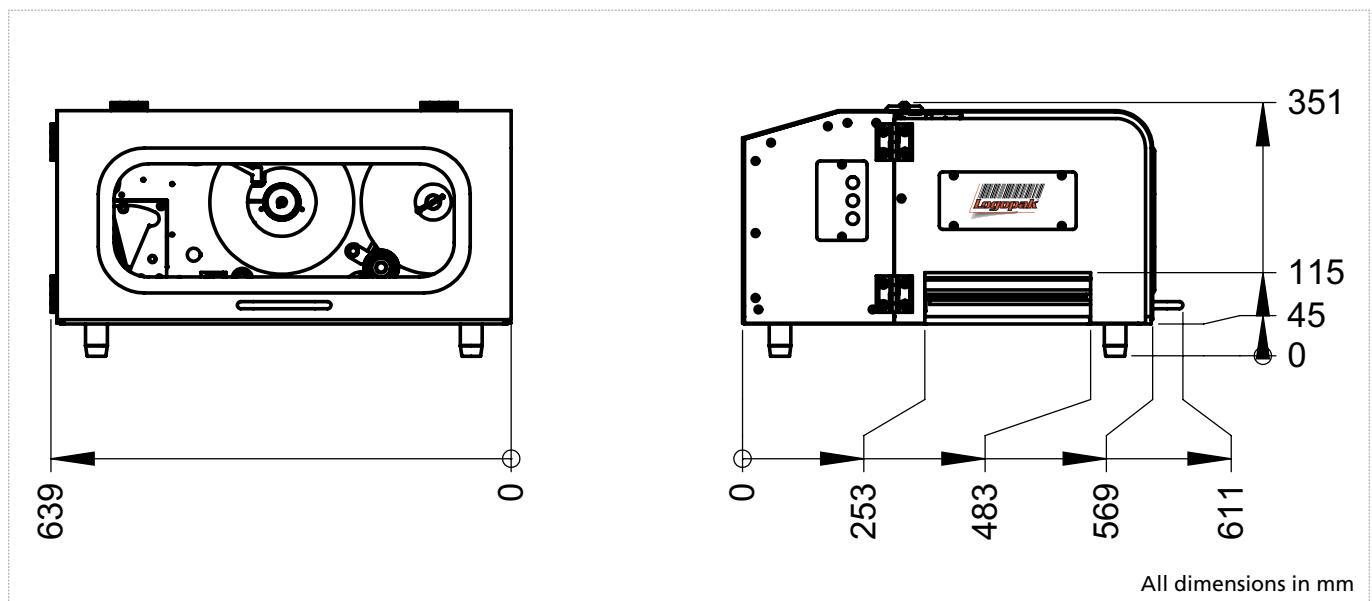
- ✓ status message via SMS with Control Center
- ✓ service-counter

Environment

- ✓ operating temperature range: 5°C - 40°C
- ✓ humidity: 10% - 80 % relative, non-condensing
- ✓ power requirements: 110-230 VAC; 50/60 Hz
- ✓ CE certified, UL certification optional

RFID

- ✓ all authorized transponders
- ✓ 13.56 MHz and UHF 868 MHz range (EPCglobal UHF Class 1 Gen 2)



We reserve the right to amend the design and/or specifications of our product without notice.